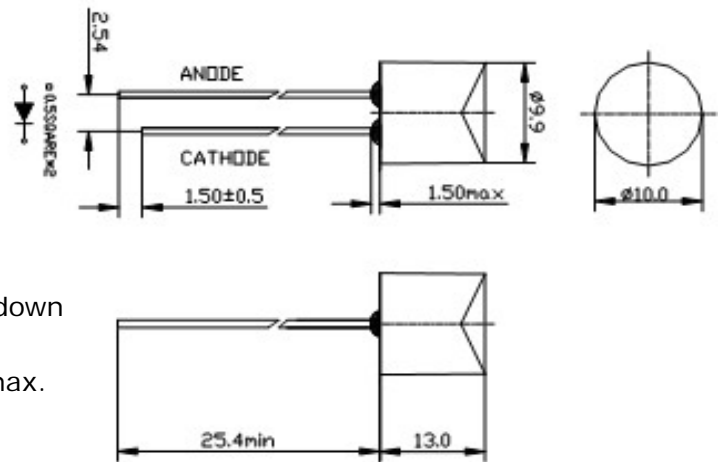


ARL 2-10823UWC-5cd

Package Dimensions

Notes:

1. All dimension units are millimeters.
2. All dimension tolerance is $\pm 0.2\text{mm}$
3. An epoxy meniscus may extend about 1.5mm down the leads.
4. Burr around bottom of epoxy may be 0.5mm max.



Typical Electrical & Optical Characteristics (Ta=25°C)

Items	Symbol	Condition	Min	Typ	Max	Unit
Forward Voltage	VF	IF=20mA	2.8	3.0	3.6	v
Reverse Current	IR	VR=5V	---	---	50	μA
Chromatility Coordinates	(x,y)	IF=20mA	---	X:0.31 Y:0.32	---	nm
Luminous Intensity	IV	IF=20mA	4000	5000	---	mcd
50% Power Viewing Angle	2θ1/2	IF=20mA	---	120	---	deg

Absolute Maximum Rating at (Ta=25°C)

Items	Symbol	Absolute Maximum Rating	Unit
Forward Current	I_F	25	mA
Peak Forward Current*	I_{FP}	100	mA
Continuous Forward Current	I_L	20	mA
Reverse Voltage	VR	5	V
Power Dissipation	PD	120	mW
Derating Linear From 50°C		0.4	mA/°C
Storage Temperature	T_{OPR}	-20~+75	°C
Storage Temperature	T_{STG}	-30~+85	°C
Lead Soldering Temperature	T_{SOL}	Max: 260°C, for 5 sec Max.	

Notes:

- IFP Conditions: Pulse Width 10msec duty 1/10
- T_{SOL} Conditions: 4mm from the base of the epoxy bulb